

Planer Body Parts List

REF	PART #	DESCRIPTION
1	P1021X2001	KNOB 5/16-18
2	P1021X2002	PULLEY COVER
3	P1021X2003	V-BELT M-59 3L590
4	P1021X2004	STUD
5	PFB01M	FLANGE BOLT M6-1 X 12
6	P1021X2006	BRACKET
7	PW01M	FLAT WASHER 8MM
8	PN02	HEX NUT 5/16-18
9	PB09M	HEX BOLT M8-1.25 X 20
10	PW01M	FLAT WASHER 8MM
11	P1021X2011	CUTTERHEAD PULLEY
13	P1021X2013	UPPER COVER
15	PSB01M	CAP SCREW M6-1 X 16
17	PSB02M	CAP SCREW M6-1 X 20
18	P1021X2018	ROLLER STAND
19	PK05M	KEY 4 X 4 X 10
20	P1021X2020	HANDWHEEL
21	P1021X2021	CHIP BREAKER
22	PW04M	FLAT WASHER 10MM
23	PN08M	HEX NUT M10-1.25
24	P1021X2024	HANDWHEEL HANDLE M10-1.5
25	P1021X2025	CHIP DEFLECTOR
26	PB02M	HEX BOLT M6-1 X 12
27	PW01M	FLAT WASHER 8MM
28	P1021X2028	CHIP BREAKER SPRING
29	P1021X2029	TENSIONING SET SCREW
30	PW01M	FLAT WASHER 8MM
31	P1021X2031	CHAIN TENSIONER
32	P1021X2032	CHAIN TENSIONER SHAFT
33	P1021X2033	BRACKET
34	P1021X2034	SHAFT
35	PRP07M	ROLL PIN 6 X 20
36	P1021X2036	CHAIN COVER
37	PSB05M	CAP SCREW M8-1.25 X 50
38	PSS11M	SET SCREW M6-1 X 16
39	P1021X2039	EXTENSION SPRING
40	P1021X2040	HANGER
41	P6205	BALL BEARING 6205ZZ
42	PSB04M	CAP SCREW M6-1 X 10
43	PK129M	KEY 8 X 8 X 36
44	P1021X2044	SPIRAL CUTTERHEAD 15"
46	PSS13M	SET SCREW M10-1.5 X 12
47	PSS14M	SET SCREW M8-1.25 X 12
48	P1021X2048	COMPRESSION SPRING
49	P1021X2049	BUSHING BLOCK
50	P1021X2050	BUSHING BLOCK PLATE
51	PN01M	HEX NUT M6-1
52	P1021X2052	HEAD CASTING
53	P1021X2053	OUTFEED ROLLER
54	P1021X2054	DEPTH LIMITER
55	PFH30M	FLAT HD SCR M5-.8 X 8
56	PK01M	KEY 5 X 5 X 22

REF	PART #	DESCRIPTION
57	P1021X2057	SPROCKET
58	PW03M	FLAT WASHER 6MM
59	PB83M	HEX BOLT M6-1 X 16
60	P1021X2060	CHAIN
63	PR03M	EXT RETAINING RING 12MM
64	P1021X2064	CHIP BREAKER ADJUSTMENT ROD
65	P1021X2065	PIVOT ROD
66	PN09M	HEX NUT M12-1.75
67	PEC05M	E-CLIP 15MM
68	P1021X2068	SPACER
69	P1021X2069	ANTI-KICKBACK FINGER
70	P1021X2070	SHAFT
71	P1021X2071	INFEED ROLLER
72	P1021X2072	SPROCKET
73	PSB26M	CAP SCREW M6-1 X 12
74	P6204	BALL BEARING 6204ZZ
75	P1021X2075	GEAR
76	PSB06M	CAP SCREW M6-1 X 25
77	P6201	BALL BEARING 6201ZZ
78	P1021X2078	GEAR
79	P1021X2079	SHAFT
80	PK06M	KEY 5 X 5 X 10
81	P1021X2081	GEAR CASE COVER
82	P1021X2082	ALIGNMENT PIN
83	P6201	BALL BEARING 6201ZZ
84	P1021X2084	SHAFT
85	PK11M	KEY 6 X 6 X 40
86	P1021X2086	GEAR
87	P1021X2087	KNOB
88	P1021X2088	CHAIN
89	P1021X2089	SPROCKET
90	P1021X2090	OIL PLUG
91	P1021X2091	SEAL
92	P1021X2092	GEAR BOX COVER
93	P1021X2093	GASKET
94	P1021X2094	DOUBLE GEAR
95	P1021X2095	ROLLER SHAFT
96	P1021X2096	DOUBLE GEAR SHAFT
97	P1021X2097	COMPRESSION SPRING
98	P1021X2098	BALL 6MM
99	P1021X2099	OIL SEAL
100	P6204	BALL BEARING 6204ZZ
101	PK10M	KEY 5 X 5 X 12
102	P1021X2102	SHIFTER
103	P1021X2103	SHIFTER SHAFT
104	PORP012	O-RING 11.8 X 2.4 P12
108	P608	BALL BEARING 608ZZ
114	PSS04M	SET SCREW M6-1 X 12
159	PAW06M	HEX WRENCH 6MM
160	PAW05M	HEX WRENCH 5MM
161	PAW04M	HEX WRENCH 4MM
162	PAW03M	HEX WRENCH 3MM



Planer Body Parts List

REF	PART #	DESCRIPTION
163	PWR810	WRENCH 8 X 10
164	PWR1214	WRENCH 12 X 14
165	P1021X2165	T-HANDLE DRIVER 1/4"
165-1	P1021X2165-1	TORX BIT T-25
166	P1021X2166	INSERT 15 X 15 X 2.5
167	PFH32	FLAT HEAD TORX 10-32 X 1/2
171	P1021X2171	WORM GEAR BOX
172	P1021X2172	LEAD SCREW
173	P6200	BALL BEARING 6200ZZ
174	PR35M	INT RETAINING RING 30MM

REF	PART #	DESCRIPTION
178	P1021X2178	ROLLER
179	P1021X2179	DUST CHUTE
180	PFS02M	FLANGE SCREW M6-1 X 12
181	P1021X2181	PLATE
185	PSB45M	CAP SCREW M8-1.25 X 45
186	P1021X2186	PLATE
188	P1021X2188	SAFTY PLATE
191	PB26M	HEX BOLT M8-1.25 X 30
192	PLW04M	LOCK WASHER 8MM



Table and Base Breakdown

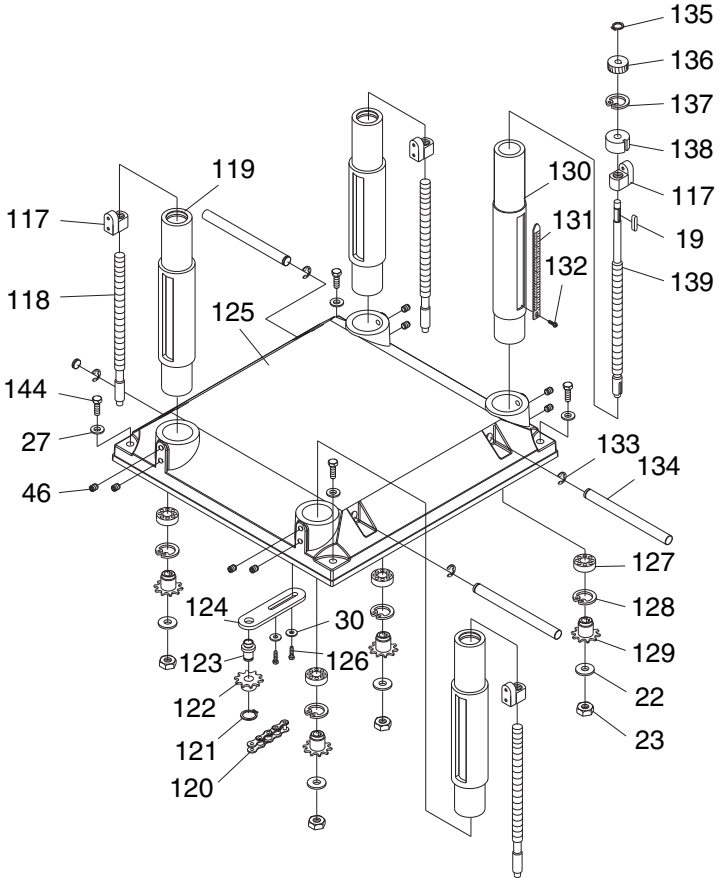
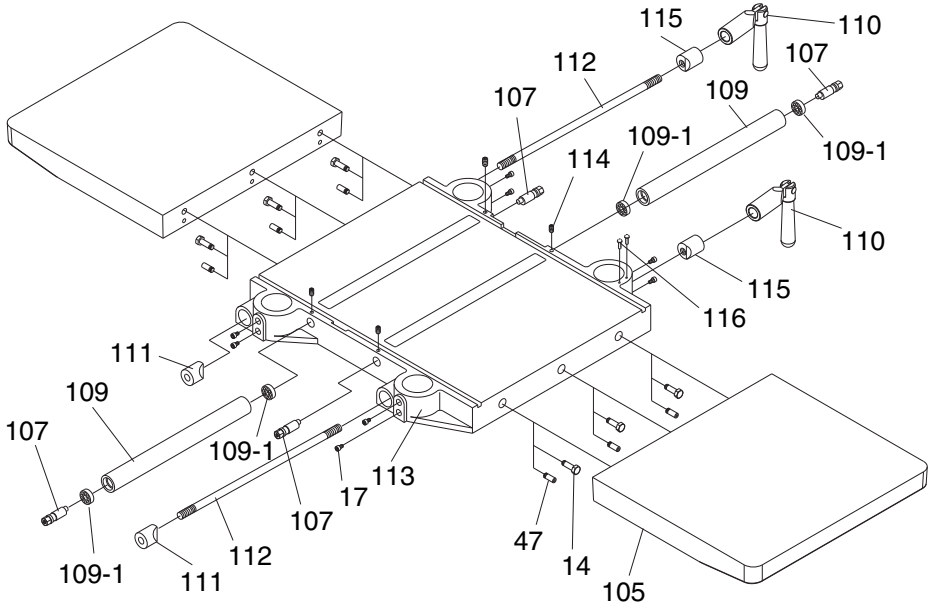


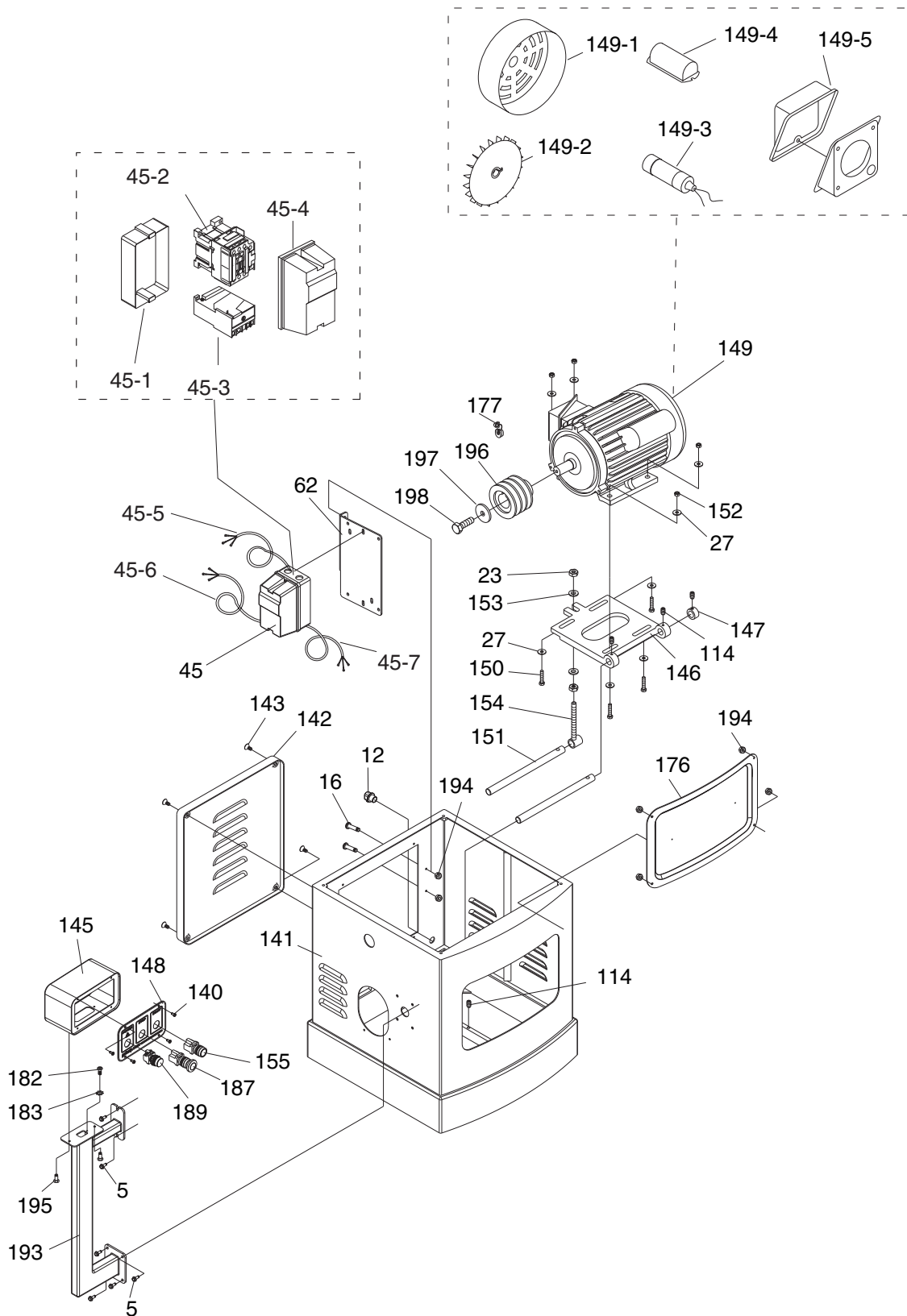
Table and Base Parts List

REF	PART #	DESCRIPTION
14	PB07M	HEX BOLT M8-1.25 X 25
17	PSB02M	CAP SCREW M6-1 X 20
19	PK05M	KEY 4 X 4 X 10
22	PW04M	FLAT WASHER 10MM
23	PN08M	HEX NUT M10-1.25
27	PW01M	FLAT WASHER 8MM
30	PW01M	FLAT WASHER 8MM
46	PSS13M	SET SCREW M10-1.5 X 12
47	PSS14M	SET SCREW M8-1.25 X 12
105	P1021X2105	EXTENSION TABLE
107	P1021X2107	SHAFT
109	P1021X2109	TABLE ROLLER
109-1	P608-2RS	BALL BEARING 608-2RS
110	P1021X2110	LOCK HANDLE 1/2-13
111	P1021X2111	LOCKING ROD
112	P1021X2112	LEAD SCREW
113	P1021X2113	MIDDLE TABLE
114	PSS04M	SET SCREW M6-1 X 12
115	P1021X2115	LOCKING ROD
116	P1021X2116	RIVET 2 X 5
117	P1021X2117	SPINDLE NUT
118	P1021X2118	ELEV. LEAD SCREW (SHORT)

REF	PART #	DESCRIPTION
119	P1021X2119	COLUMN
120	P1021X2120	CHAIN
121	PR05M	EXT RETAINING RING 15MM
122	P1021X2122	IDLER SPROCKET
123	P1021X2123	SHAFT
124	P1021X2124	BRACKET
125	P1021X2125	BASE
126	PB07M	HEX BOLT M8-1.25 X 25
127	P6202	BALL BEARING 6202ZZ
128	PR21M	INT RETAINING RING 35MM
129	P1021X2129	SPROCKET
130	P1021X2130	COLUMN
131	P1021X2131	SCALE
132	PS12M	PHLP HD SCR M3-.5 X 6
133	PEC12M	E-CLIP 12MM
134	P1021X2134	LIFTING SHAFT
135	PR01M	EXT RETAINING RING 10MM
136	P1021X2136	GEAR
137	PR22M	INT RETAINING RING 38MM
138	P1021X2138	BUSHING
139	P1021X2139	LEAD SCREW (LONG)
144	PB118M	HEX BOLT M8-1.25 X 45



Stand and Motor Breakdown



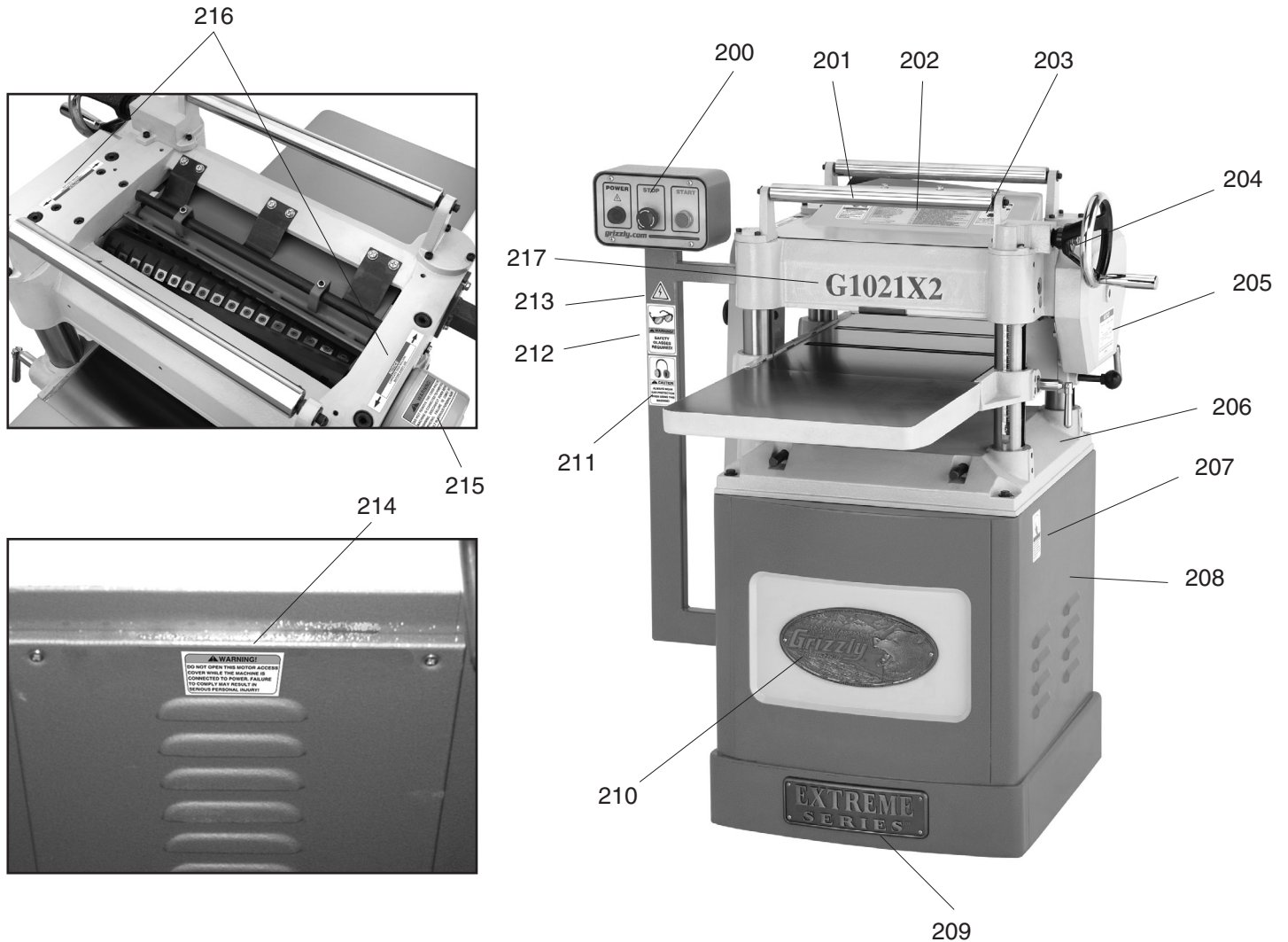
Stand and Motor Parts List

REF	PART #	DESCRIPTION
5	PFB01M	FLANGE BOLT M6-1 X 12
12	P1021X2012	STUD 5/8"
16	PS20M	PHLP HD SCR M5-.8 X 15
23	PN08M	HEX NUT M10-1.25
27	PW01M	FLAT WASHER 8MM
45	P1021X2045	3HP MAGNETIC SWITCH ASSEMBLY
45-1	P1021X2045-1	SWITCH COVER (REAR)
45-2	P1021X2045-2	CONTACTOR SDE MA-18 220V
45-3	P1021X2045-3	OL RELAY SDE RA-20 12-18A
45-4	P1021X2045-4	SWITCH COVER (FRONT)
45-5	P1021X2045-5	POWER CORD 12AWG X 3C
45-6	P1021X2045-6	POWER CORD 12AWG X 3C
45-7	P1021X2045-7	POWER CORD 12AWG X 3C
62	P1021X2062	SWITCH COVER
114	PSS04M	SET SCREW M6-1 X 12
140	PS09M	PHLP HD SCR M5-.8 X 10
141	P1021X2141	STAND
142	P1021X2142	PLATE
143	PFH06M	FLAT HD SCR M6-1 X 20
145	P1021X2145	SWITCH BOX
146	P1021X2146	MOTOR MOUNT
147	P1021X2147	COLLAR
148	P1021X2148	SWITCH PLATE
149	P1021X2149	MOTOR 3HP, 220V

REF	PART #	DESCRIPTION
149-1	P1021X2149-1	FAN COVER
149-2	P1021X2149-2	FAN
149-3	P1021X2149-3	S CAP 600M 125V 1-1/2 X 3-1/8
149-4	P1021X2149-4	S CAP COVER
149-5	P1021X2149-5	JUNCTION BOX
150	PB15M	HEX BOLT M8-1.25 X 40
151	P1021X2151	SHAFT
152	PN03M	HEX NUT M8-1.25
153	PW04M	FLAT WASHER 10MM
154	P1021X2154	PIVOT STUD
155	P1021X2155	START SWITCH
176	P1021X2176	PLATE
177	P1021X2177	STRAIN RELIEF SB9R-2
182	PS07M	PHLP HD SCR M4-.7 X 8
183	PTLW01M	EXT TOOTH WASHER 4MM
187	P1021X2187	STOP SWITCH
189	P1021X2189	POWER LIGHT (RED)
193	P1021X2193	SUPPORT SHAFT
194	PN06M	HEX NUT M5-.8
195	PB96M	HEX BOLT M5-.8 X 10
196	P1021X2196	MOTOR PULLEY
197	P1021X2197	SPACER
198	P1021X2198	SPECIAL HEX BOLT



Labels Breakdown



REF	PART #	DESCRIPTION
200	P1021X2200	CONTROL PANEL LABEL
201	P1021X2201	DISCONNECT 220V POWER LABEL
202	P1021X2202	MACHINE ID LABEL
203	P1021X2203	CUTTERHEAD DANGER LABEL
204	P1021X2204	HANDWHEEL DIRECTION LABEL
205	P1021X2205	GEARBOX SPEED LABEL
206	PPAINT-11	PUTTY TOUCH-UP PAINT
207	PLABEL-12	READ MANUAL LABEL
208	PPAINT-1	GRIZZLY GREEN TOUCH-UP PAINT

REF	PART #	DESCRIPTION
209	P1021X2209	EXTREME SERIES PLATE
210	P1021X2210	LARGE GRIZZLY LOGO PLATE
211	PLABEL-15	HEARING PROTECTION LABEL
212	P1021X2212	GLASSES LABEL
213	PLABEL-14	ELECTRICITY LABEL
214	P1021X2214	MOTOR ACCESS LABEL
215	P1021X2215	BELT GUARD LABEL
216	P1021X2216	FEED ROLLER OIL LABEL
217	P1021X2217	G1021X2 MODEL NUMBER LABEL

⚠️ WARNING

Safety labels warn about machine hazards and ways to prevent injury. The owner of this machine **MUST** maintain the original location and readability of the labels on the machine. If any label is removed or becomes unreadable, **REPLACE** that label before using the machine again. Contact Grizzly at (800) 523-4777 or www.grizzly.com to order new labels.

